



## STEAM HEATER - INLINE SPECIFICATION SHEET

*Please provide the requested information by E-mail to [info@mxrtech.com](mailto:info@mxrtech.com) or call 1-951-303-4600.*

COMPANY NAME: \_\_\_\_\_

CONTACT: \_\_\_\_\_

ADDRESS: \_\_\_\_\_

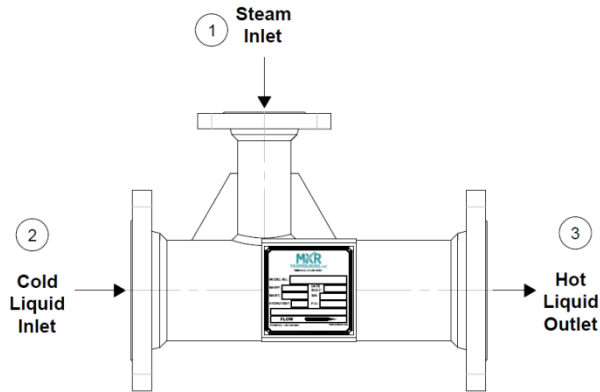
CITY, STATE, ZIP CODE: \_\_\_\_\_

PHONE NUMBER: \_\_\_\_\_

E-MAIL: \_\_\_\_\_

Steam Conditions		
Pressure:		psig
Temperature:		°F
Flow Rate:		lb./hr.
Line Size:		inches

Liquid To Be Heated		
Liquid		
Flow Rate:		gpm
Inlet Pressure:		psig
Inlet Temperature:		°F
Specific Gravity:		
Viscosity:		cP
Specific Heat:		BTU/# °F
Final (Outlet) Temperature:		°F
Line Size:		inches



Construction Requirements	
Type Connections:	<input type="checkbox"/> NPT <input type="checkbox"/> _____ lb. flanged <input type="checkbox"/> Other _____
Construction Material:	<input type="checkbox"/> 316 Stainless Steel <input type="checkbox"/> Carbon Steel <input type="checkbox"/> Other _____
Comments:	